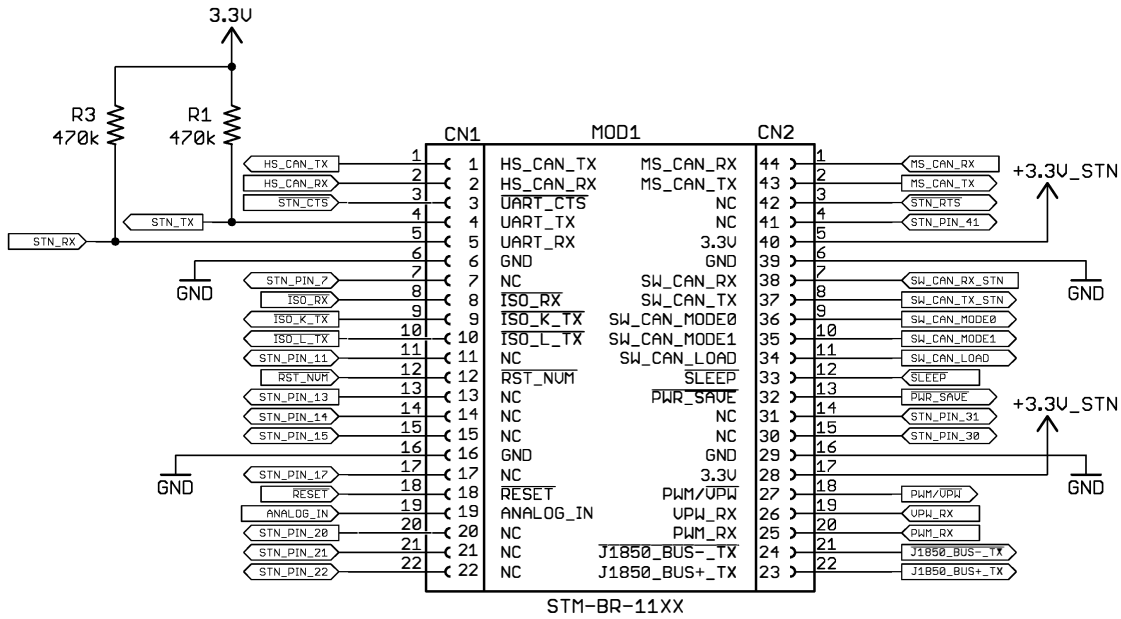
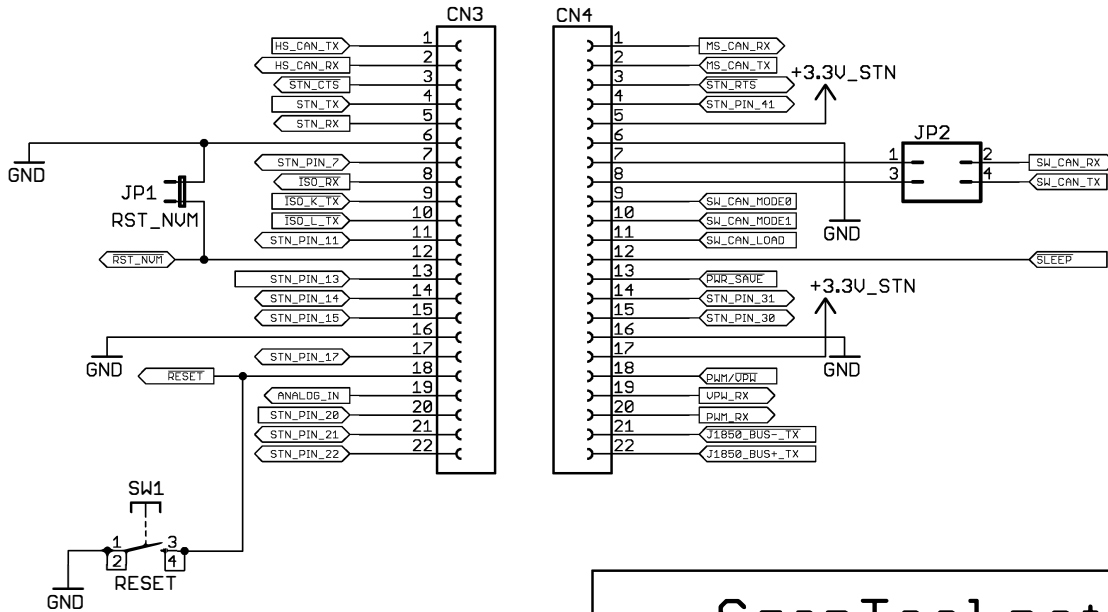


STN Pin Breakout Module



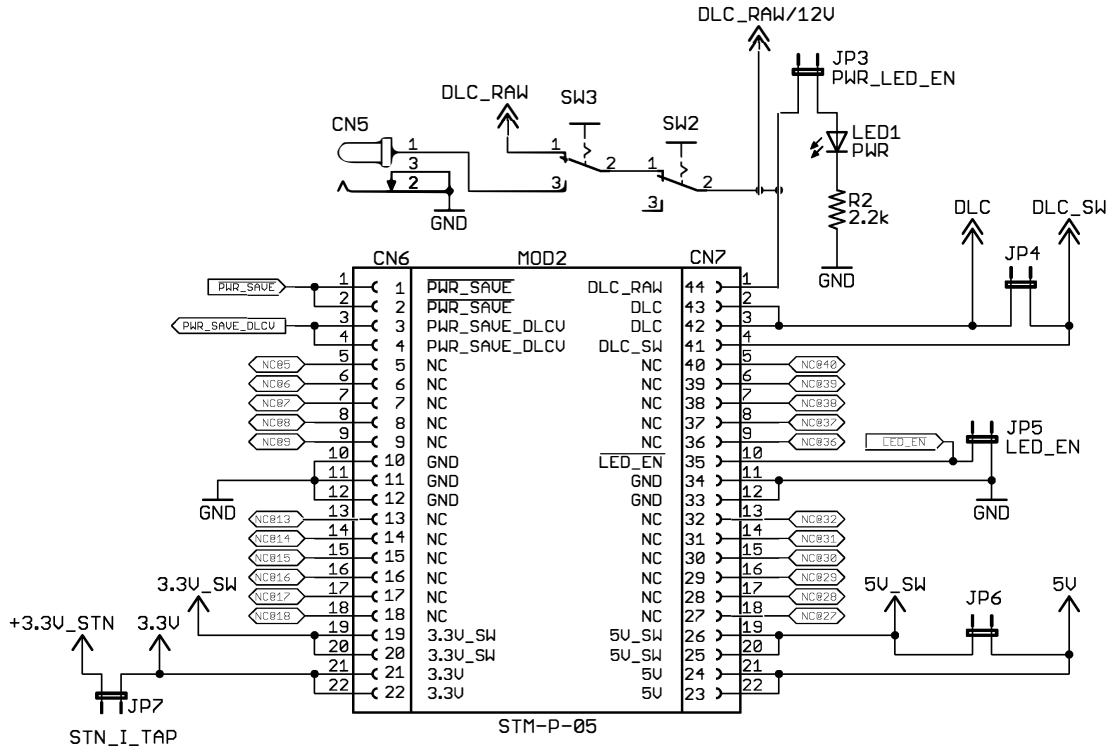
STN Breakout Pins



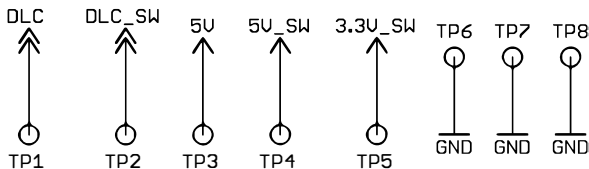
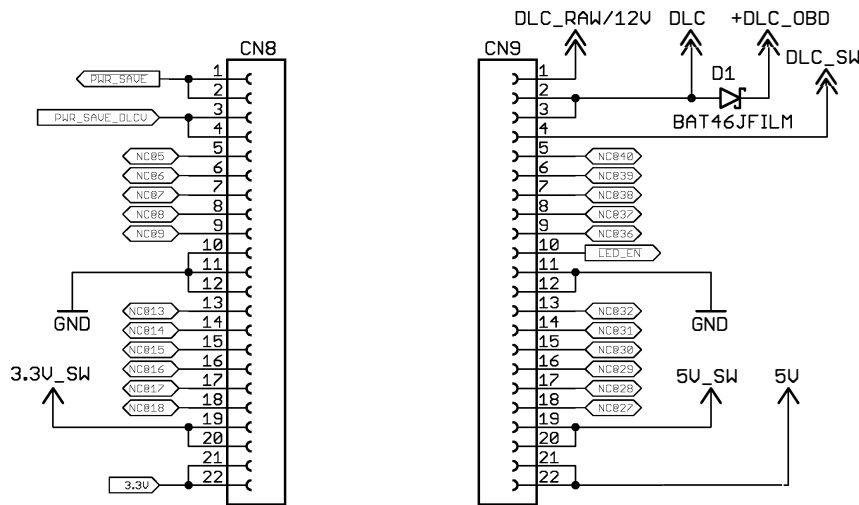
ScanTool.net LLC

Title:	OBID Interconnect Development Board	Rev:	1.6/G
Description:	OBID Interconnect Development Board		
Date:	7/19/2017 3:52 PM	Sheet:	1/5

Power Module



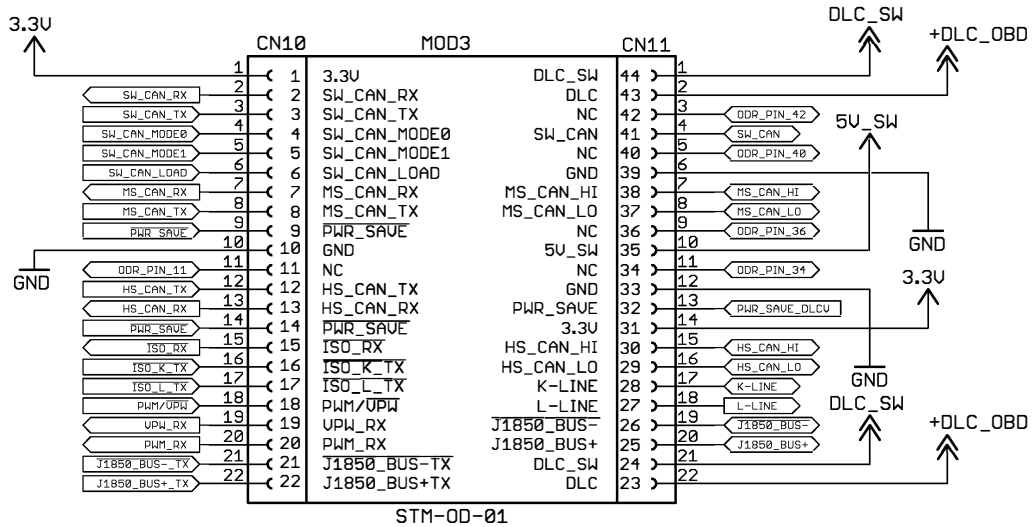
Power Module Breakout Pins



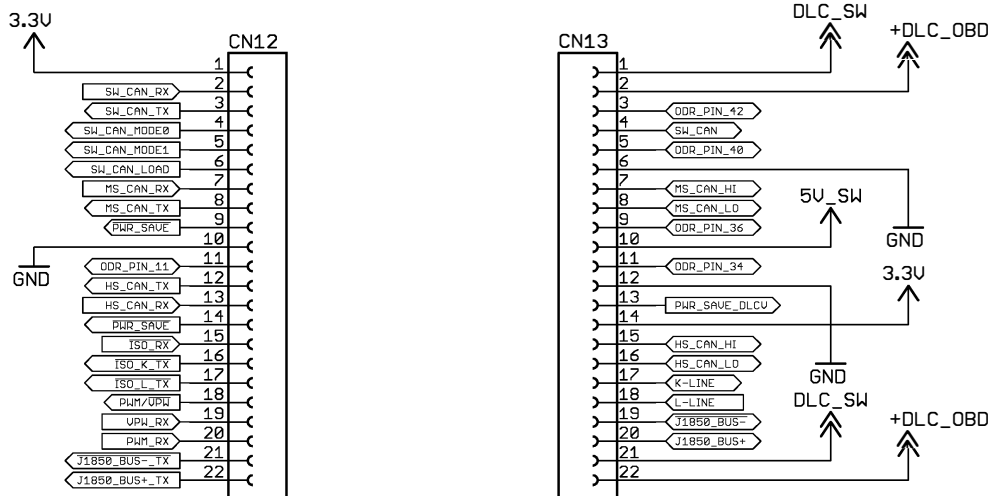
ScanTool.net LLC

Title: OBD Interconnect Development Board		Rev: 1.6/G
Description: OBD Interconnect Development Board		
Date: 7/19/2017 3:52 PM		Sheet: 2/5

Driver Module



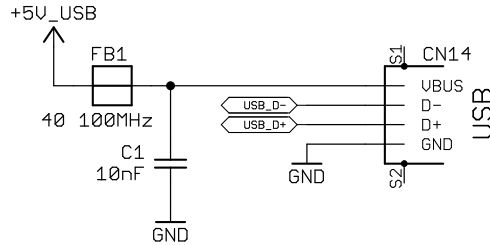
Driver Module Breakout Pins



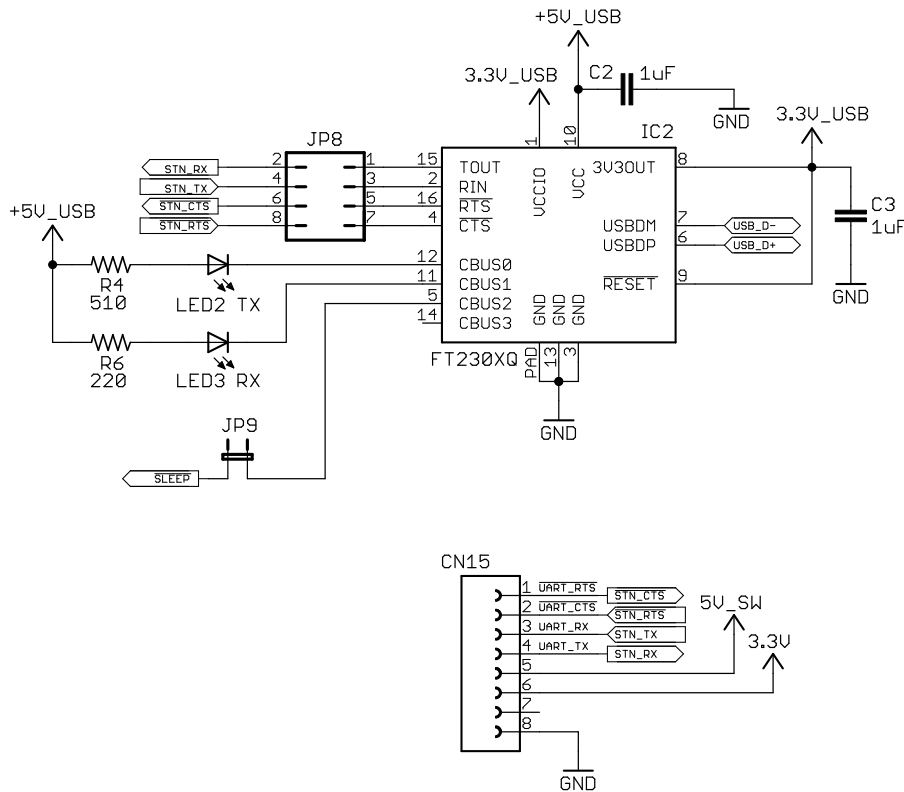
ScanTool.net LLC

Title:	OBDD Interconnect Development Board	Rev:	1.6/G
Description:	OBDD Interconnect Development Board		
Date:	7/19/2017 3:52 PM	Sheet:	3/5

USB Connector & Filter



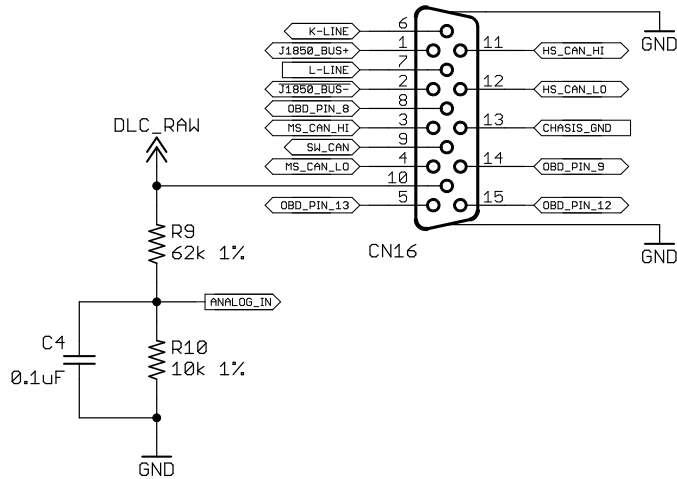
USB Transceiver



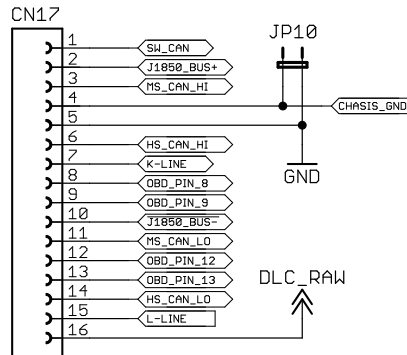
ScanTool.net LLC

Title: OBD Interconnect Development Board		Rev: 1.6/G
Description: OBD Interconnect Development Board		
Date: 7/19/2017 3:52 PM		Sheet: 4/5

OBD Connector



OBD Breakout Header



ScanTool.net LLC

Title: OBD Interconnect Development Board		Rev: 1.6/G
Description: OBD Interconnect Development Board		
Date: 7/19/2017 3:52 PM		Sheet: 5/5